

AUTOCLEAR® 5333-160

Portable, Compact Parcel X-ray for Bombs, Weapons, Contraband



Lower profile, array-on-top sharpens threat details with larger original image.

AUTOCLEAR is the world's leading producer of advanced, fast, reliable, X-ray, Weapons and Trace Detection systems. Visit us at www.autoclearus.com. Ask about our mobile, cargo, dual-view and backscatter contraband systems.

The AUTOCLEAR 5333-160 (53 cm wide x 33 cm high, 20.9" x 13" opening) is compact, lightweight and ergonomic. Clearly images for:

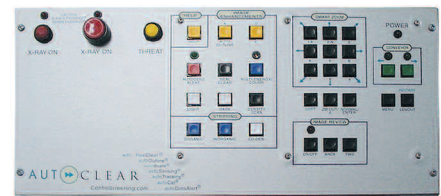
**Schools • Courthouses
Correctional • Corporate
Mailrooms • Embassies
Jails • Government Buildings
Special Events • Airports
Military • Banks • Police
Nightclubs • Offices
Executive Mail**

Features

- Ideal size, penetration and throughput for parcels, laptops, shoes, coats, electronics, food, large briefcases, handbags, backpacks, strollers and bins.
- Advanced, bright digital image. Folded array rapidly images full mailbags, long or tall parcels. Unlike high-dose analog, door-based fluoroscopes with dull, monochrome, indirect views, the 5333-160 is fully film-safe with no blind spots.
- Features Pentium 4, 17" LCD monitor, RealClear®, autoScale®, autoDensalert®, autoOutline®, autoSensing®, autoCal®, 64X Smart Zoom, Lighten, Help, DensityScan, and Low Density Stripping, among other features.
- Multi-Energy Color with Organic/Inorganic Stripping is popular. Half the radiation dose to parcels and curtains with less energy consumption. Twice as filmsafe, TIP, Training and Image Archiving autoSaves® images to DVD, CD or USB flash drive. AutoMatalert® option highlights bomb threat items.
- AutoTracking® unique guided conveyor belt system never needs adjustment, lowering operating costs.
- Full autoSensing® eliminates need for dated, troublesome photosensing systems and footpad switches. Assures 100% screening of thin blades or plastic in magazines or overnight envelopes, or bag already in tunnel at start-up.
- Interactive training with highly responsive local service. Engineered, made and rigorously tested in North America to the highest ISO 9000 and regulatory standards.



RealClear® reveals components of a gun, knife, narcotics in bottle, and bomb in real time, without lags and delays. AutoScale® displays contents at Pentium 4 resolution automatically and without distortion.



User-friendly, ergonomic, fully-featured operator control panel.

Leading contraband threat detection & field support, since 1937

AUTOCLEAR®

autoclearus.com

Scintrex® • CheckGate® • Dynavision® • Control Screening® • Federal Labs®
U.S. Canada Europe Dubai Latin America Beijing Hong Kong Singapore

Model 5333-160 Portable X-ray Specifications

www.autoclearus.com

Overall Dimensions: Inspection Capabilities

Tunnel Size:	125.4 cm (49.4") L x 72.1 cm (28.4") W x 111.4 cm (43.6") H
Material Penetration:	20.9" wide (53 cm)
Contrast Sensitivity:	13" high (33 cm)
Resolution:	L-shaped detector for 100% package screening.
Processing:	28-29 mm steel
Conveyor Speed:	Over 2 million color tones standard.
Pulling Weight:	40 AWG wire.
autoTracking®:	32-bit adaptive image processing with minimum 128 Mbytes memory; 800 MHz, 2.4 GHz or higher processor.
Film Safety:	48 feet per minute; 24 cm per second. Fully reversible.
	100 kg (220 lbs) standard; 200 kg (440 lbs) option
	Belt guaranteed to autoTrack for life.
	Guaranteed for high-speed films up to ISO 1600 (33 DIN).

***Full autoSensing® without troublesome photosensors, moving parts, or footpad.**

Reduces downtime and assures all magazines, envelopes or items are scanned, no matter how thin, or of bag already in tunnel at start-up. Enhances radiation safety.

X-ray Generator

X-ray tube head:	Self-contained
High voltage rating:	160 kV, 140 kV operating voltage
Duty cycle:	100% with sealed oil bath cooling
Beam orientation:	Diagonal (80° beam divergence)
Dose rate per exam:	0.1 mR. Lower doses available.

X-ray Detectors

Surface mounted, multilayer, fully integrated, high frequency, solid state detectors using high speed processors, and Pentium 4 image processing with Single Energy or optional Multi-Energy (M) Color.

Video

Standard with color 17" LCD flat screen monitor. High resolution, flicker-free, low rad., low energy monitor, 1280 x 1024 or higher resolution. Single energy color is based on object density. Multi-Energy option available with CRT(s) or larger monitor(s), displays organics in orange and inorganics in blue, both overlapping in green and very dense objects in black, and includes Organic and Inorganic Stripping.

Standard Features

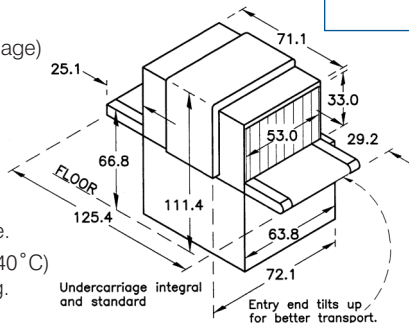
- RealClear®
- autoDensAlert®
- autoTracking®
- autoSensing®
- autoOutline®
- autoScale®
- autoCal®
- 1.5, 2, 2.5, 3, 3.5 4,6, 8, 16, 32 and 64X Smart Zoom
- Dark & Light enhance
- DensityScan
- Color; Reverse B/W
- High/Low Density & Stripping
- High density
- Integrated undercarriage
- Brushed alum. tunnel extensions
- Helpscreens
- Fast (25 second) initial warm-up
- Full-sized, friendly, robust keyboard
- Reversible direction & image
- Non-marring castors

Options

- Multi-Energy (M) color material identification with organic and inorganic stripping (popular)
- Image Archiving with autoSave® to DVD, CD, or USB Flash
- Threat Image Projection (TIP)
- autoMatalert®
- Tropical Humidity Kit
- Loading or exit slides, or rollerbeds
- CRT, dual LCD or larger monitor(s)
- Locking metal keypad cover
- Clear Lexan tunnel extensions
- CE marking. UK, Fr. or Can. approved
- kV, mA meter or item counter
- Power conditioner, or UPS
- Variable height keypad mount
- Locking monitor(s) hood
- Remote operation; printer or archiving cables
- Built-in Training
- autoNet
- TipNet

Physical Details

Dimensions:	See drawing
Weight:	634 lbs (236 kg) (including undercarriage) 809 lbs (313 kg) crated
Construction:	Unibody heavy gauge epoxy painted steel construction with stainless steel and aluminum trim and accessories. Non-marring casters. Corrosion-resistant command center keypad mounted on side or on available table.
Environmental Conditions:	Temperature range: 32° - 104°F, (0° - 40°C) Humidity 20% - 95%, non-condensing. Storage to 65°C (149°F)
Electrical Power Requirements:	Consumption: < 0.7 kVA 100, 120, 230 volts AC + 10%, < 7 amps. 200, 220, 230, 240, 250 volts AC ± 10%, < 3.5 amps. All at 50 or 60 Hz.



Non-marring casters
Dimensions are in centimeters

Distributor:

ISO 9001-2000 Registered

www.autoclearus.com
www.scintrextrace.com www.fed-labs.com

Leading contraband threat detection & field support, since 1937

AUTOCLEAR®
autoclearus.com

Scintrex® • CheckGate® • Dynavision® • Control Screening® • Federal Labs®
U.S. Canada Europe Dubai Latin America Beijing Hong Kong Singapore